

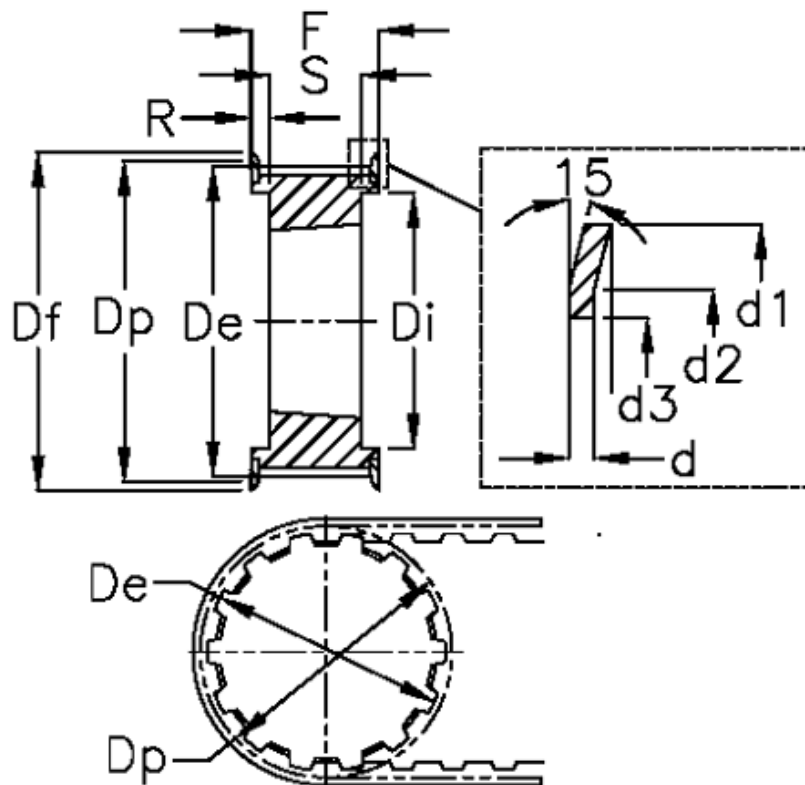
# Data Sheet



Article number: 604133044170

Description: Taper bored timing belt pulley  
HTD 44 14M 170 TL 3535

## Measures



d = 2.5	F = 187	Weight = 15
d1 = 212	Flange type = F61	Width = 170
d2 = 200	For bushing = 3535	
d3 = 162	Max bore = 90	
De = 193.28	r = 49	
Df = 212	S = 89	
Di = 153	Tooth number = 44	
Dp = 196.08	Type = 14M	